

68 Q-DIN

Distribution boards

A complete system of IP65 boards for distributing energy in tertiary, commercial sector and building applications, available both empty and pre-wired, in accordance with the international standard IEC 61439. The Q-DIN range comprises boards from 5 to 20 DIN modules, plus supplementary modules of 14 or 20 M to add even more DIN spaces. They can accommodate flush-mounting socket-outlets and interlocked socket-outlets of up to 63 A, and they can be combined with numerous accessories.



EMPTY BOARDS FOR MOBILE AND FIXED INSTALLATIONS

Q-DIN 5 - SURFACE-MOUNTING - IP65



GW 68 017N



GW 68 018N



GW 68 001N
GW 68 031N



GW 68 020N



GW68026N
GW68032N



GW 68 001 N

Q-DIN 5 WATERTIGHT BOARDS - UNWIRED - RAL 7035 - IP65

Code	Houseable socket	No. of provided blank lids	Dispersible power A (W)	Dispersible power B (W)	Pack Carton
No. of modules EN 50022: 5					
GW 68 017 N	1 IEC 309 16A IP44/67	-	10	37	16
GW 68 018 N	2 IEC 309 16A IP44/67	-	10	37	12
GW 68 001 N	3 IEC 309 16A IP44/67	1 IEC 16A	10	37	8
GW 68 031 N	3 IEC 309 16A IP44/67	1 IEC 16A	10	37	4
GW 68 020 N	2 IEC 309 16/32A IP44/67	1 IEC 16/32A	10	37	8
GW 68 026 N	4 domestic socket std.50x50 mm	1 domestic socket std.50x50 mm	10	37	8

ACCESSORIES SUPPLIED: cable clamp and 2 screw caps. GW68031N complete with rubber shockproof case. Adapter flange for every IEC 309 socket-outlet housing seat - 16/32 A.

NOTES: key not installable. Dispersible power (B) is calculated according to IEC 60890 standard. It refers to the 40 K overtemperature, between the temperature inside and outside the board. The IP65 degree of protection is obtained with blank flange lid installed correctly on all the seats of the unwired board.

External dimensions GW68017N (LxHxD): 105x258x96 mm.

External dimensions GW68018N (LxHxD): 105x337x96 mm.

External dimensions GW68001N and GW68020N (LxHxD): 105x430x96 mm.

External dimensions GW68031N (LxHxD): 140x560x105 mm.

Halogen-Free in accordance with Standard EN 60754-2.

Q-DIN 10 - SURFACE-MOUNTING - IP65



GW 68 002N



GW 68 025N



GW 68 003N



GW 68 019N



GW68027N



GW 68 025 N

Q-DIN 10 WATERTIGHT BOARDS - UNWIRED - RAL 7035 - IP65

Code	Houseable socket	No. of provided blank lids	Dispersible power A (W)	Dispersible power B (W)	Pack Carton
No. of modules EN 50022: 10					
GW 68 002 N	Blank lid	-	16	42	6
GW 68 025 N	2 IB Vert. 16-32A IP67	1 IB 16/32A	16	42	6
GW 68 003 N	2 IEC 16A + 2 IEC 16/32A	1 IEC 309 16A+1 16/32A	16	42	6
GW 68 019 N	2 IB Horiz. 16/32A SBF IP44 overlapping	1 IB 16/32A	16	42	6
GW 68 027 N	3 dom.socket 50x50 mm + 2 IEC 16/32 A	1 domestic + 1 IEC 16 A	16	42	6

ACCESSORIES SUPPLIED: cable clamp and 4 screw caps. Adapter flange for every IEC 309 socket-outlet housing seat - 16/32 A.

NOTES: Dispersible power (B) is calculated according to IEC 60890 standard. It refers to the 40K overtemperature, between the temperature inside and outside the board.

GW68003N: pre-arranged for two 16-32 A socket-outlets in the lower flanges and two 16A socket-outlets in the upper flanges. The IP65 degree of protection is obtained with blank flange lid installed correctly on all the seats of the unwired board.

External dimensions (LxHxD): 220x435x96.

Halogen-Free in accordance with Standard EN 60754-2.

Q-DIN 14 - SURFACE-MOUNTING - IP65



GW 68 004N



GW 68 005N



GW 68 006N



GW 68 005 N

Q-DIN 14 WATERTIGHT BOARDS - UNWIRED - RAL 7035 - IP65

Code	Houseable socket	No. of provided blank lids	Dispersible power A (W)	Dispersible power B (W)	Pack Carton
No. of modules EN 50022: 14					
GW 68 004 N	Blank lid	-	24	64	4
GW 68 005 N	3 IEC 309 16/32A IP44/67	1 IEC 16/32A	24	64	4
GW 68 006 N	2 IB Horiz. 16/32A SBF IP44 side by side	1 IB 16/32A	24	64	4

ACCESSORIES SUPPLIED: cable clamp and 4 screw caps. Adapter flange for every IEC 309 socket-outlet housing seat - 16/32 A.

NOTES: Dispersible power (B) is calculated according to IEC 60890 standard. It refers to the 40K overtemperature, between the temperature inside and outside the board. The IP65 degree of protection is obtained with blank flange lid installed correctly on all the seats of the unwired board.

External dimensions (LxHxD): 320x360x120.

Halogen-Free in accordance with Standard EN 60754-2.

Q-DIN 14 - SURFACE-MOUNTING - IP65



GW 68 007N



GW 68 008N



GW 68 009N



GW 68 010N



GW 68 008 N

Q-DIN 14 WATERTIGHT BOARDS - UNWIRED - RAL 7035 - IP65

Code	Houseable socket	No. of provided blank lids	Dispersible power A (W)	Dispersible power B (W)	Pack Carton
No. of modules EN 50022: 14					
GW 68 007 N	Blank lid	-	24	64	3
GW 68 008 N	6 IEC 309 16/32A IP44/67	2 IEC 16/32A	24	64	3
GW 68 009 N	4 IB Horiz. 16/32A SBF IP44	2 IB 16/32A	24	64	3
GW 68 010 N	3 IB Vert. 16/32A IP67	1 IB 16/32A	24	64	3

ACCESSORIES SUPPLIED: cable clamp and 4 screw caps. Adapter flange for every IEC 309 socket-outlet housing seat - 16/32 A.

NOTES: Dispersible power (B) is calculated according to IEC 60890 standard. It refers to the 40K overtemperature, between the temperature inside and outside the board. The IP65 degree of protection is obtained with blank flange lid installed correctly on all the seats of the unwired board.

External dimensions (LxHxD): 320x510x120.

Halogen-Free in accordance with Standard EN 60754-2.

Q-DIN 20 - SURFACE-MOUNTING - IP65



GW 68 012N



GW 68 013N



GW 68 014N



GW 68 021N



GW 68 014 N

Q-DIN 20 WATERTIGHT BOARDS - UNWIRED - RAL 7035 - IP65

Code	Houseable socket	No. of provided blank lids	Dispersible power A (W)	Dispersible power B (W)	Pack Carton
No. of modules EN 50022: 20					
GW 68 012 N	Blank lid	-	30	92	2
GW 68 013 N	8 IEC 309 16/32A IP44/67	2 IEC 16/32A	30	92	2
GW 68 014 N	4 IB Horiz. 16/32A CBF IP44	2 IB 16/32A	30	92	2
GW 68 021 N	2 IEC 309 63A - 4 IEC 309 16/32A	2 IEC 309 16/32A+1 63A	30	92	2

ACCESSORIES SUPPLIED: cable clamp and 6 screw caps. Adapter flange for every IEC 309 socket-outlet housing seat - 16/32 A.

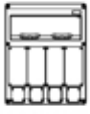
NOTES: Dispersible power (B) is calculated according to IEC 60890 standard. It refers to the 40K overtemperature, between the temperature inside and outside the board. The IP65 degree of protection is obtained with blank flange lid installed correctly on all the seats of the unwired board.

External dimensions (LxHxD): 450x560x120.

Halogen-Free in accordance with Standard EN 60754-2.

68 Q-DIN

Q-DIN 20 - SURFACE-MOUNTING - IP65



GW 68 015N



GW 68 022N



GW 68 015 N

Q-DIN 20 WATERTIGHT BOARDS - UNWIRED - RAL 7035 - IP65

Code	Houseable socket	No. of provided blank lids	Dispersible power A (W)	Dispersible power B (W)	Pack Carton
No. of modules EN 50022: 20					
GW 68 015 N	4IB 16/32A IP67 + 4 IEC MAX 3P+E 16A	2 IB 16/32A + 4 IEC 16A	30	92	2
GW 68 022 N	1IB Vert. 63A IP67 + 2 IB Vert. 16/32A IP67	1 IB 16/32A	30	92	2

ACCESSORIES SUPPLIED: cable clamp and 6 screw caps.

NOTES: Dispersible power (B) is calculated according to IEC 60890 standard. It refers to the 40K overtemperature, between the temperature inside and outside the board.

GW68015N: the 4 flanges - measuring 85x75 - can be equipped with the COMBI-IN GW27401 and GW27403 watertight covers. The IP65 degree of protection is obtained with blank flange lid installed correctly on all the seats of the unwired board.

External dimensions (LxHxD): 450x560x120.

Halogen-Free in accordance with Standard EN 60754-2.

ADDITIONAL Q-DIN MODULES - IP65



GW 68 023N



GW 68 024N



GW 68 023 N

ADDITIONAL Q-DIN MODULES - RAL 7035 - IP65

Code	No. of modules EN 50022	Dispersible power (W)	Pack Carton
GW 68 023 N	14	40	1/3
GW 68 024 N	20	52	1/3

NOTES: to be used with Q-DIN 14 and 20 M to double the DIN modules available, the dispersible power is calculated according to the document IEC 60890 (CEI 17-43) and refers to an overtemperature of 40K between the air temperature inside the board and in the room.

External dimensions GW68023N (LxHxD): 320x241x120.

External dimensions GW68024N (LxHxD): 450x241x120.

Halogen-Free in accordance with Standard EN 60754-2.

COMPLEMENTARY ITEMS



GW 68 431

YELLOW-PAINTED METAL CONDUIT SUPPORT WITH SUPPORT FOR CABLES OF UP TO 20 M

Code	Outer dim. LxHxD (mm)	For distribution board type	Pack Carton
GW 68 431	350x715x435	Q-DIN 10	1
GW 68 433	350x770x520	Q-DIN 14/20	1

NOTES: the type of cable considered is H 07 RN - F 5 x 4 mm²; the length varies according to the type of cable.

GW68433: Q-DIN protection system against the front drops.

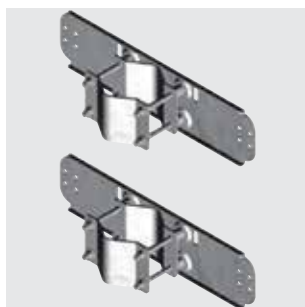


GW 68 432

METAL CARRIER PAINTED IN YELLOW EQUIPPED WITH TWO WHEELS AND ROTATING DRUM TO WIND UP TO 50 M OF CABLE

Code	Outer dim. LxHxD (mm)	For distribution board type	Pack Carton
GW 68 432	495x1000x605	Q-DIN 14/20	1

NOTES: the type of cable considered is H 07 RN - F 5 x 4 mm²; the length varies according to the type of cable. 1+1 flanges for socket-outlets IEC 309 16A and 32A.



GW 46 552

POLE SUPPORT KIT FOR 68 Q-DIN BOARDS

Code	For Q-DIN	Max sustainable load (kg)	Pack Carton
GW 46 552	14	12	1
GW 46 553	20	125	1

CHARACTERISTICS: fixed on the back of the boards. The maximum sustainable load values refer to Q-DIN boards.

APPLICATIONS: for application of boards on poles from 60 to 80mm.

ACCESSORIES SUPPLIED: 2 pieces. For the correct use of the kit, see the instructions sheet.



GW 46 446

BRACKETS FOR FIXING BOARDS TO THE WALL

Code	Material	For Q-DIN	Accessories supplied	Pack Carton
GW 44 621	Insulation	5	Self-tapping fixing screws	40/480
GW 46 446	Galvanised steel	10/14/20	Self-tapping fixing screws	20
GW 46 451	Stainless steel	10/14/20	Self-tapping fixing screws	20

NOTES: GW44621: used to maintain the double insulation and the original IP degree of protection of the boxes, containers and other GEWISS products. GW46446 and GW46451: set composed of 4 brackets. Maximum sustainable load 8 kg for Q-DIN10, 12 kg for Q-DIN14 and 15 kg for Q-DIN20.



GW 62 393

DOMESTIC SOCKET OUTLET - IP54



Code	No. of poles	Rated current (A)	Rated voltage	Colour	Frequency	Flange dimensions (mm)	Pack Carton
Standard: German							
GW 62 393	2P+E	16	230 V	Blue	50/60 Hz	50x50	1/20
GW 62 392	2P+E	16	200 - 250 V	Blue	50/60 Hz	85x75	1/12
Standard: French							
GW 62 394	2P+E	16	230 V	Blue	50/60 Hz	50x50	1/20

CHARACTERISTICS: domestic socket-outlets equipped with child protection (shutter) and with rear connection.

NOTES: domestic socket-outlets 50x50 mm can be installed also on flanges 85x75 mm using the adapter code GW68281.



GW 74 361

ROUND MUSHROOM-HEAD EMERGENCY PUSH-BUTTON - MUSHROOM Ø 40MM

Code	Functions	Characteristics	Pack Carton
GW 74 361	With holding	Not illuminated	10/60

APPLICATION: suitable for emergency use, in accordance with Standard IEC 60947-5-5.

SUPPLIED: 3-seat flange (2 of which are contact-holders).

68 Q-DIN



ZC6

CONTACTS - ITH=10A - 250V AC

Code	Type	Colour	Pack Carton
GW 74 501	1 NO	Green	1/30
GW 74 502	1 NC	Red	1/30
GW 74 503	2 NO	Green	1/30
GW 74 504	1 NO + 1 NC	White	1/30
GW 74 505	2 NC	Red	1/30

CHARACTERISTICS: GW74502 suitable for contact opening also in the event of slight sticking, in compliance with Standard EN 60947-5-1. Clip assembly on the contact-holder flanges.

NOTES: the dual contacts type: GW74503, GW74504 and GW74505 are not compatible with the watertight emergency enclosures GW42204 and GW42207.



GW 40 422

CYLINDRICAL SECURITY LOCK

Code	Material	For distribution board type	Pack Carton
GW 40 422	Pressure die-cast metal	Q-DIN 10/14/20 and additional modules	1/10

ACCESSORIES SUPPLIED: 2 keys.

NOTES: All the keys and relative locks with the same product code are identical.



GW 68 436 N

Q-DIN TRANSPORTATION HANDLE

Code	Description	For distribution board type	Pack Carton
GW 68 436 N	Handle	Q-DIN 10/14/20 and additional modules	1/10



GW 68 292

BLANK LIDS FOR CLOSING COMPARTMENT CONTAINING IEC AND IB VERTICAL SOCKET-OUTLETS

Code	Description	Dimensions LxH (mm)	Pack Carton
GW 68 292	Lid for IEC 309 16A	85x75	1/10
GW 68 293	Lid for IEC 309 32A	95x80	1/10
GW 68 294	Lid for IEC 309 63A	110x100	1/10
GW 66 703 N	Lid for vertical interlocked socket-outlet 16-32A	220x103	1/10
GW 66 705 N	Lid for vertical interlocked socket-outlet 63A	270x145	1/10
GW 68 296	Lid for domestic socket outlet 50x50 mm	50x50	1/10



GW 66 702

BLANK LIDS FOR CLOSING COMPARTMENT CONTAINING IB HORIZONTAL SOCKET-OUTLETS

Code	For distribution boards	For back boxes	For flush-mounting boxes	Pack Carton
GW 66 701	GW68006N/09N/19N	GW66676	GW66681 - GW66681PM	1/10
GW 66 702	GW68014N	GW66677	GW66682 - GW66682PM	1/10



GW 66 709 N

FLANGED LID PREARRANGED FOR 2 CAPS - IP67

Code	Houseable IB socket-outlets	Pack Carton
GW 66 709 N	N. 1 IEC 309 16-32A IP44/67 + N.1 16A MAX 3P+E or GW27401/GW27403	1/10

APPLICATIONS: the flange of 85x75 mm dimension is suited for mounting IEC 309 16 A socket-outlets and COMBI-IN GW27401 and GW27403 flange; the flange of 95x80 mm dimension is suited for IEC 309 16 -32 A socket-outlets.

ACCESSORIES SUPPLIED: 1 blank flange - blue - 16 A; 1 blank flange - blue 16 -32 A; 3 gaskets and fixing screws.



GW 66 715 N

ADAPTER

Code	Suitable for	Pack Carton
GW 66 715 N	IP67 16/32A vertical socket-outlets	1/10
GW 66 716 N	IP67 63A Vertical socket-outlets	1/10
GW 68 281	Domestic socket outlet std.50x50 mm	1/10

APPLICATIONS: GW66715N to assemble all the vertical socket-outlets 16-32 A IP67 of the 67 IB range on the Q-DIN boards, or on the modular bases of the previous versions for socket-outlets 16-32 A CBF IP55.

GW66716N to assemble the vertical socket-outlets 63A IP67 of the 67 IB range on the modular bases of the previous versions for socket-outlets 63A CBF IP55.



GW 27 403

COMBI-IN WATERTIGHT COVERS FOR 2 SYSTEM RANGE MODULES

Code	Dimensions LxH (mm)	Door type	IP degree	Colour	Pack Carton
GW 27 401	75x85	With membrane	IP55	Grey RAL 7035	3/60
GW 27 403	75x85	Rigid IK09	IP65	Grey RAL 7035	3/60

NOTES: they are installed in the same seat of IEC 309 socket-outlets - 16 A IP44/67

ACCESSORIES SUPPLIED: gasket and mounting screws.



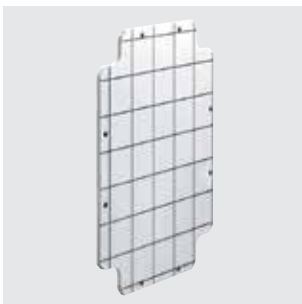
GW 66 745

WATERTIGHT LIDS

Code	Dimensions LxH (mm)	Suitable for	Colour	Pack Carton
GW 66 708	75x85	1 Button Ø22 mm Range 74 PS	Grey	1/20
GW 66 745	75x85	1 Button Ø22 mm Range 74 PS	Yellow	1/20

APPLICATIONS: GW66745 specific for emergency push-buttons.

ACCESSORIES SUPPLIED: gasket and mounting screws.



GW 44 626

BACK-MOUNTING PLATE IN INSULATED MATERIAL WITH SELF-TAPPING FIXING SCREWS

Code	For Q-DIN	Pack Carton
GW 44 626	10	20
GW 44 627	14	20
GW 44 628	20	4

NOTE: to be installed on the base of the Q-DIN, for inserting DIN rails/terminal blocks/components.



GW 40 412 B

INSULATED SCREW TERMINAL BLOCK BIPOLAR AND UNIPOLAR FOR ENCLOSURES AND BOARDS

Code	Pole 1 (mm ²)	Pole 2 (mm ²)	Suitable for	Fastener to supports	Pack Carton
Type: Bipolar - Rated current 125 A					
GW 40 401	N (1x35) + (7x10)	E (1x35) + (7x10)	Q-DIN 10/14/20	With screws	10
GW 40 402	N (3x35) + (10x10)	E (3x35) + (10x10)	Q-DIN 14/20	With screws and/or clip	10
Type: Bipolar - Rated current 80 A - IP20					
GW 40 408 B	N/E (2x16) + (7x10)	N/E (2x16) + (7x10)	Q-DIN 10/14/20	With screws	1/10
GW 40 412 B	N/E (3x16) + (11x10)	N/E (3x16) + (11x10)	Q-DIN 14/20	With screws and/or clip	1/10
Type: Unipolar - Rated current 80 A - IP20					
GW 40 408 U	N/E (2x16) + (7x10)	-	Q-DIN 10/14/20	With screws	1/10
GW 40 412 U	N/E (3x16) + (11x10)	-	Q-DIN 14/20	With screws and/or clip	1/10
GW 40 422 U	N/E (3x16) + (29x10)	-	Q-DIN 14/20	With screws and/or clip	1/10

ACCESSORIES SUPPLIED: fixing screws. The 80 A terminal blocks are equipped with N and E labels to be placed on the respective spaces to identify the poles.

CHARACTERISTICS: GWT 960°C according to EN60695-2-11.

INSTALLATION: the installation of the GW40401, GW40408B and GW40408U terminal blocks on Q-DIN 14/20 boards is permitted by using the GW40413 adapter.



GW 40 413

ADAPTERS FOR SCREW TERMINAL BLOCKS

Code	Suitable for	Fastener to supports	Pack Carton
GW 40 413	Q-DIN 14/20	With screws	20

ACCESSORIES SUPPLIED: fixing screws.

CHARACTERISTICS: the adapter is pre-drilled for the correct assembly of the terminal block.

INSTALLATION: permits installation of the GW40401, GW40408B and GW40408U terminal blocks on Q-DIN 14/20 boards.



GW 66 673

COUPLING FOR 68Q-DIN BOARDS - IP65

Code	Description	Pack Carton
GW 66 673	Coupler PG29	10/120

SURFACE-MOUNTING FOR COMBIBLOC COMPACT SOCKET-OUTLETS IP44 - IP55



GW 66 493

EMPTY BOARDS FOR FIXED COMPACT SOCKET-OUTLETS

Code	No. IB socket-outlets houseable	No. of modules EN 50022	No. of blank lids supplied	Dispersible power (W)	Pack Carton
GW 66 491	1 COMBIBLOC 16/32A	4	None	10	1/12
GW 66 492	2 COMBIBLOC 16/32A	8	1	13	1/6
GW 66 493	3 COMBIBLOC 16/32A	12	1	24	1/4

CHARACTERISTICS: the transparent door is pre-arranged for the GW40422 security lock.

ACCESSORIES SUPPLIED: sealing gaskets for COMBIBLOC socket-outlets.



GW 68 295

BLANK COVERS FOR COMBIBLOC INTERLOCKED SWITCHED SOCKET-OUTLETS

Code	Dimensions LxH (mm)	Pack Carton
GW 68 295	132x71	1/10

ACCESSORIES SUPPLIED: sealing gasket and 4 fixing screws.



GW 40 412 B

INSULATED SCREW TERMINAL BLOCK BIPOLAR AND UNIPOLAR FOR ENCLOSURES AND BOARDS

Code	Pole 1 (mm ²)	Pole 2 (mm ²)	Suitable for	Fastener to supports	Pack Carton
Type: Bipolar - Rated current 125 A					
GW 40 401	N (1x35) + (7x10)	E (1x35) + (7x10)	GW66492 and GW66493	With screws	10
GW 40 402	N (3x35) + (10x10)	E (3x35) + (10x10)	GW66493	With screws and/or clip	10
Type: Bipolar - Rated current 80 A - IP20					
GW 40 408 B	N/E (2x16) + (7x10)	N/E (2x16) + (7x10)	GW66492 and GW66493	With screws	1/10
GW 40 412 B	N/E (3x16) + (11x10)	N/E (3x16) + (11x10)	GW66493	With screws and/or clip	1/10
Type: Unipolar - Rated current 80 A - IP20					
GW 40 408 U	N/E (2x16) + (7x10)	-	GW66492 and GW66493	With screws	1/10
GW 40 412 U	N/E (3x16) + (11x10)	-	GW66493	With screws and/or clip	1/10
GW 40 422 U	N/E (3x16) + (29x10)	-	GW66493	With screws and/or clip	1/10

ACCESSORIES SUPPLIED: fixing screws. The 80 A terminal blocks are equipped with N and E labels to be placed on the respective spaces to identify the poles.

CHARACTERISTICS: GWT 960°C according to EN60695-2-11.

INSTALLATION: the installation of the GW40401, GW40408B and GW40408U terminal blocks on the GW66493 board is permitted by using the GW40413 adapter.

ADAPTERS FOR SCREW TERMINAL BLOCKS

Code	Suitable for	Fastener to supports	Pack Carton
GW 40 413	GW66493	With screws	20

ACCESSORIES SUPPLIED: fixing screws.

CHARACTERISTICS: the adapter is pre-drilled for the correct assembly of the terminal block.

INSTALLATION: it permits installation of the GW40401, GW40408B and GW40408U terminal blocks on the GW66493 board.



GW 40 413

WIRED BOARDS FOR FIXED APPLICATIONS

SURFACE-MOUNTING



GW 68 226 N

WIRED Q-DIN 5 DBU BOARDS WITH IEC 309 SOCKET-OUTLETS - IP44

Code	Socket-outlet 2P+E 16A - IEC 309		Socket-outlet 3P+E 16A - IEC 309		Schuko socket-outlet 10/16A	UK socket-outlet 13A	Pack Carton
	16A	16A	16A	16A			
GW 68 212 N	-	-	-	-	-	1	1/8
GW 68 224 N	1	-	1	-	1	-	1/2
GW 68 225 N	1	-	-	-	1	-	1/6
GW 68 226 N	1	-	1	-	-	-	1/6
GW 68 227 N	1	-	-	-	-	-	1/8

PROTECTIONS:

GW68212N: Board In: 10A
1 RCCB - SD Range 2P 230 V 25 A 0,03 A - AC Type

GW68224N: Board In: 13A
1 RCBO - MDC Range 4P 400 V 16 A C 6 kA 0,03 A - AC Type

GW68225N: Board In: 13A
1 RCBO - MDC Range 2P 230 V 16 A C 6 kA 0,03 A - AC Type

GW68226N: Board In: 25A
1 MCB - MTC Range 2P 230 V 16 A C 6 kA
1 MCB - MTC Range 3P 400 V 16 A C 6 kA

GW68227N: Board In: 13A
1 RCBO - MDC Range 2P 230 V 16 A C 6 kA 0,03 A - AC Type

ACCESSORIES SUPPLIED: cable clamp and 2 screw caps.



GW 68 202 N

WIRED Q-DIN 10 DBU BOARDS WITH IEC 309 SOCKET-OUTLETS - IP44

Code	Socket-outlet 2P+E 16A - IEC 309		Socket-outlet 3P+E 16A - IEC 309		Socket-outlet 3P+N+E 16A - IEC 309		Schuko socket-outlet 10/16A	Pack Carton
	16A	16A	16A	16A	16A	16A		
GW 68 202 N	2	-	1	-	-	1	1/3	
GW 68 228 N	1	-	1	-	1	1	1/3	

PROTECTIONS:

GW68202N: Board In: 25A
1 MCB - MTC Range 2P 230 V 16 A C 6 kA
1 MCB - MTC Range 3P 400 V 16 A C 6 kA

GW68228N: Board In: 25A
2 MCB - MTC Range 2P 230 V 16 A C 6 kA
1 MCB - MTC Range 4P 400 V 16 A C 6 kA

ACCESSORIES SUPPLIED: cable clamp and 4 screw caps.



GW 68 233 N

WATERTIGHT Q-DIN 10 DBO BOARDS WIRED WITH VERTICAL INTERLOCKED SWITCHED SOCKET-OUTLETS - IP65

Code	Socket-outlet 2P+E 16A - IB		Socket-outlet 3P+E 16A - IB		Pack Carton
	16A	16A	16A	16A	
GW 68 232 N	2	-	-	-	1/2
GW 68 233 N	1	-	1	-	1/2

PROTECTIONS:

GW68232N: Board In: 25 A.
2 MCB - MT Range 2P 230 V 16 A C 6 kA.

GW68233N: Board In: 25 A.
1 MCB - MT Range 2P 230 V 16 A C 6 kA.
1 MCB - MT Range 3P 400 V 16 A C characteristic 6 kA.

ACCESSORIES SUPPLIED: cable clamp and 4 screw caps.



GW 68 205 N

WIRED Q-DIN 14 DBO DISTRIBUTION BOARD WITH NON-INTERLOCKED SOCKET-OUTLETS - IP65

Code	Socket-outlet 2P+E 16A - IEC 309		Socket-outlet 3P+E 16A - IEC 309		Pack Carton
	16A	16A	16A	16A	
GW 68 205 N	2	-	1	-	1/3

Board In: 25A

PROTECTIONS:

2 MCB - MTC Range 2P 230 V 16 A C 6 kA
1 MCB - MTC Range 3P 400 V 16 A C 6 kA

ACCESSORIES SUPPLIED: cable clamp and 4 screw caps.



GW 68 229 N

WIRED Q-DIN 14 DBU BOARD WITH IEC 309 SOCKET-OUTLETS - IP44

Code	Socket-outlet 2P+E 16A - IEC 309	Socket-outlet 3P+E 16A - IEC 309	Socket-outlet 3P+N+E 16A - IEC 309	Socket-out 3P+E 32A - IEC309	Schuko socket-outlet 16A	Pack Carton
GW 68 229 N	2	1	1	1	1	1

Board In: 50A

PROTECTIONS: 1 MCB - MTC Range 2P 230 V 16 A C 6 kA for the 2P+E 16 A 230 V and the 10/16 A IT/DE 230 V domestic socket-outlets

1 MCB - MTC Range 4P 400 V 16 A C 6 kA for the 3P+E 16 A 400 V and 3P+N+E 16 A 400 V socket-outlets

1 MCB - MTC Range 3P 400 V 32 A C 6 kA for the 3P+E 32 A 400 V socket-outlet

ACCESSORIES SUPPLIED: cable clamp and 4 screw caps.



GW 68 206 N

WIRED, Q-DIN 14 DBU BOARD WITH HORIZONTAL INTERLOCKED SOCKET-OUTLETS - IP44

Code	Socket-outlet 2P+E 16A - IB	Socket-outlet 3P+E 16A - IB	Socket-out 3P+E 32A - IB	Pack Carton
GW 68 206 N	2	1	1	1

Board In: 50A

PROTECTIONS: Board with horizontal interlocked switched socket-outlets 44 IB

1 MCB - MTC Range 2P 230 V 16 A C 6 kA

1 MCB - MTC Range 3P 400 V 16 A C 6 kA

1 MCB - MTC Range 3P 400 V 32 A C 6 kA

ACCESSORIES SUPPLIED: cable clamp and 4 screw caps.



GW 68 207 N

WIRED Q-DIN 14 DBU BOARDS WITH VERTICAL INTERLOCKED SOCKET-OUTLETS - IP65

Code	Socket-outlet 2P+E 16A - IB	Socket-outlet 3P+E 16A - IB	Socket-outlet 3P+N+E 16A - IB	Pack Carton
GW 68 207 N	2	1	-	1
GW 68 230 N	2	-	1	1
GW 68 231 N	1	-	2	1

PROTECTIONS:

GW68207N: Board In: 25A

2 MCB - MTC Range 2P 230 V 16 A C 6 kA

1 MCB - MTC Range 3P 400 V 16 A C 6 kA

GW68230N: Board In: 25A

1 RCCB - SD Range 4P 400 V 40 A 0,03 A - AC Type

2 MCB - MT Range 2P 230 V 16 A C 6 kA

1 MCB - MT Range 4P 400 V 16 A C 6 kA

GW68231N: Board In: 32A

1 RCCB - SD Range 4P 400 V 40 A 0,03 A - AC Type

1 MCB - MT Range 2P 230 V 16 A C 6 kA

2 MCB - MT Range 4P 400 V 16 A C 6 kA

CHARACTERISTICS: GW68230N and GW68231N board equipped with AUTOMATIKA sockets.

ACCESSORIES SUPPLIED: cable clamp and 4 screw caps.



GW 68 208 N

WIRED Q-DIN 20 DBU BOARD WITH VERTICAL INTERLOCKED SOCKET-OUTLETS AND 4 FLANGES FOR NON-INTERLOCKED SOCKET-OUTLETS 16A - IP65

Code	Socket-outlet 2P+E 16A - IB	Socket-outlet 3P+E 16A - IB	Socket-out 3P+E 32A - IB	Pack Carton
GW 68 208 N	2	1	1	1

Board In: 50A

PROTECTIONS: 2 MCB - MTC Range 2P 230 V 16 A C 6 kA

1 MCB - MTC Range 3P 400 V 16 A C 6 kA

1 MCB - MTC Range 3P 400 V 32 A C 6 kA

ACCESSORIES SUPPLIED: cable clamp and 6 screw caps.

SURFACE-MOUNTING WITH COMBIBLOC COMPACT SOCKET-OUTLETS



GW 66 391

WIRED COMBIBLOC BOARD WITH COMPACT INTERLOCKED SOCKET-OUTLETS - IP44



Code	Socket-outlet 2P+E 16A - IB	IP degree	Pack Carton
GW 66 391	1	IP44	1/2

Board In: 14A

PROTECTIONS: 1 RCBO - MDC Range 2P 230 V 16 A C 6 kA 0,03 A - AC Type



GW 66 392

WIRED COMBIBLOC BOARDS WITH COMPACT INTERLOCKED SOCKET-OUTLETS - IP44 / IP55



Code	Socket-outlet 2P+E 16A - IB	Socket-outlet 3P+E 16A - IB	Socket-outlet 3P+N+E 16A - IB	IP degree	Pack Carton
GW 66 392	1	1	-	IP44	1/2
GW 66 393	1	-	1	IP55	1/2

PROTECTIONS:

GW66392: Board In: 25A

1 MCB - MTC Range 2P 230 V 16 A C 6 kA

1 MCB - MTC Range 3P 400 V 16 A C 6 kA

GW66393: Board In: 25A

1 MCB - MTC Range 2P 230 V 16 A C 6 kA

1 MCB - MTC Range 4P 400 V 16 A C 6 kA.



GW 66 394

WIRED COMBIBLOC BOARDS WITH COMPACT INTERLOCKED SOCKET-OUTLETS - IP44 / IP55



Code	Socket-outlet 2P+E 16A - IB	Socket-outlet 3P+E 16A - IB	Socket-outlet 3P+N+E 16A - IB	Socket-out 3P+E 32A - IB	IP degree	Pack Carton
GW 66 394	1	1	1	-	IP44	1
GW 66 395	2	1	-	-	IP55	1
GW 66 396	1	1	-	1	IP44	1
GW 66 397	1	1	1	-	IP55	1

PROTECTIONS:

GW66394: Board In: 20A

1 RCCB - SD Range 4P 400 V 25 A 0,03 A - AC Type

1 MCB - MTC Range 2P 230 V 16 A C 6 kA

1 MCB - MTC Range 4P 400 V 16 A C 6 kA

GW66395: Board In: 20A

1 RCCB - SD Range 4P 400 V 25 A 0,03 A - AC Type

1 MCB - MTC Range 2P 230 V 16 A C 6 kA

1 MCB - MTC Range 3P 400 V 16 A C 6 kA

GW66396: Board In: 50A

1 MCB - MTC Range 2P 230 V 16 A C 6 kA

1 MCB - MTC Range 3P 400 V 16 A C 6 kA

1 MCB - MTC Range 3P 400 V 32 A C 6 kA

GW66397: Board In: 38A

1 MCB - MTC Range 2P 230 V 16 A C 6 kA

1 MCB - MTC Range 3P 400 V 16 A C 6 kA

1 MCB - MTC Range 4P 400 V 16 A C 6 kA.



68 Q-DIN



Scan the QR Code and find out all the technical informations.

QUADRI COMBINATI
IEC 309

WIDE AND CONFIGURABLE RANGE



The power distribution board range is made up of 23 empty casings with IP65 degree of protection, for flushmounted and interlocked socketoutlets up to 63A, and with numerous complementary items that increase the fields of application.

INNOVATIVE TECHNICAL SOLUTIONS



The boards have many innovative technical features, such as the ergonomic handle, which simplifies the opening of the door, and the screws to "hinge" the front facilitating wiring. Additional enclosures 14 and 20M modules are also available, ideal for increasing the modular space.

TOP-LEVEL ACCESSORY OPTIONS



The boards can be equipped with a key lock with a metal cylinder and mushroom emergency button. They can be fixed to a pole, surfacemounted, flush-mounted or on accident prevention mobile supports.