



DAY SIGNALLING SEARCHLIGHT HML-ISO 35

Signalling with every comfort

One searchlight for every voltage

- HML-ISO 35 identifies the applied operating voltage electronically and can be operated with 12V and 24V DC

Every comfort for operating (a)

- The ergonomic housing ensures comfortable operating, for example by means of adjustable hand straps both for left-handed and right-handed persons. In addition, the durable housing is also very light due to modern materials
- Targeting is made easy by means of an eye piece with integrated dioptre. The front rocker switch together with integrated micro-switch make signalling comfortable and easy
- HML-ISO 35 can also be used as a torch light due to its continuous light function

Easy exchange of the lamp (b)

- Long-life halogen lamp and glass mirror are exchanged easily by detaching the quick release rubber seals – without any tools
- Colour filters are mounted from the outside without opening the device (available on request)

Integrated SOS function and battery-LED status display (c)

- Integrated SOS function is activated by pressing a button at the rear, the signal appears automatically without further operation
- LED display reports the critical state of the battery and due to its anti-dazzle cell is visible in all light conditions

Protection against condensation (d)

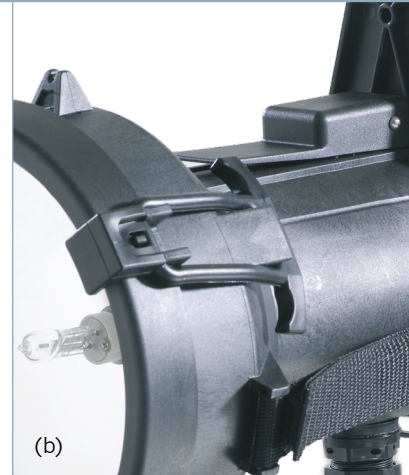
- WISKA VentGLAND®, the breathing cable gland, protects the device from condensation water. Its anti-kink spiral protects the cable against line breaks

Certification

- DNV GL SE
MEDB0000206
MEDD00000J3



(a)



(b)



(c)



(d)



HML-ISO 35 K
(Colour filters on request only)



HML-ISO 35 T

DAY SIGNALLING SEARCHLIGHT HML-ISO 35



Protection class to EN 60 529: IP 56

Material: Polyester (housing)

Colour: Black

Lamp: Halogen incandescent lamp, 30 W

Range: Day 3400 m / Night 21,400 m

Parabolic mirror: Glass, Ø 150 mm

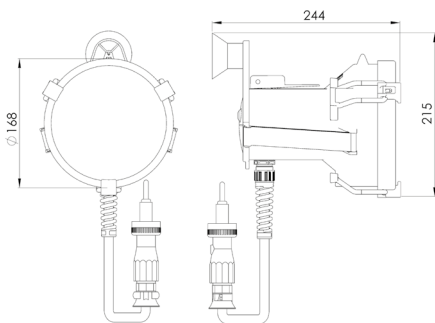
Light colour: Constant white

Average lamp durability: 4000h

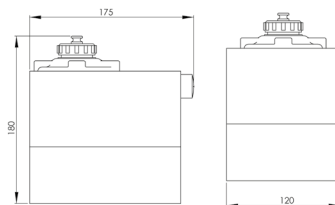
Equipment: - 5 m connection cable (including plug, other cable lengths available), Permanent light function, SOS function, LED battery state

Approval: DNV GL SE MEDB0000206, MEDD00000J3, ISO 25861, EN 60945, IMO Res. MSC. 95, ships of 150 GT at least acc. to SOLAS

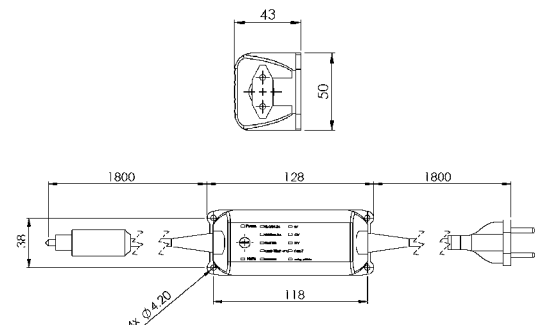
Type	Description	Wiska-No.	kg
HML-ISO 35-5-B-W-F00-A01	Day signalling searchlight, waterproof bag, LxBxH: 60x35x35 cm	10100901	9,50
HML-ISO 35-5-C-W-F00-A01	Day signalling searchlight, waterproof IP 67 case, LxBxH: 52x43x22 cm	10100903	12,30
Spare Parts			
SP-HML-ISO 35 Front cover, clear	Glass, clear HML-ISO 35	22000457	0,07
SP-HML-ISO 35 Halogen lamp	Halogen lamp 30 W, 12 V DC, GY6.35	22000470	0,02
Accessories			
DK 503	Concentric socket DK 503 for flush-mounting	10010004	0,17
SP-HML-ISO 35 Power Pack	PowerPack HML-ISO 35	22000465	3,25
SP-HML-ISO 35 Charger	Charger HML-ISO 35	22000466	1,70
SP-HML-ISO 35 Filter, blue	Front glass, blue HML-ISO 35	22000467	0,07
SP-HML-ISO 35 Filter, green	Front glass, green HML-ISO 35	22000468	0,07
SP-HML-ISO 35 Filter, red	Front glass, red HML-ISO 35	22000469	0,07
503	Concentric socket 503 1xPG16	10010003	0,25



HML-ISO 35



PowerPack HML-ISO 35



Charger HML-ISO 35