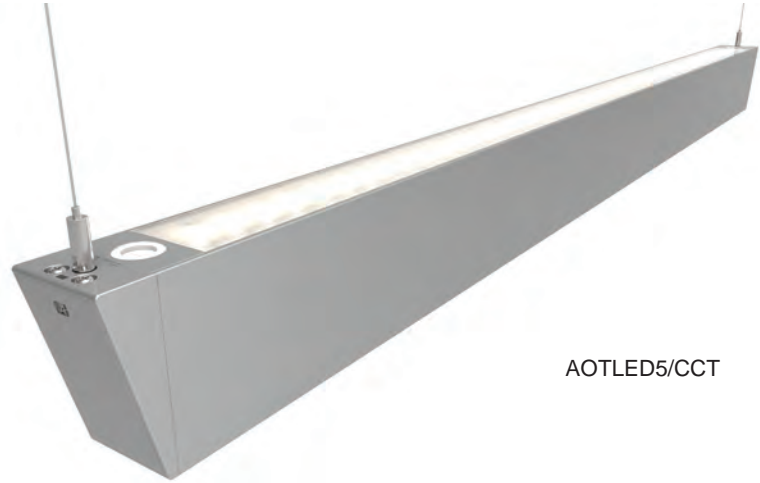




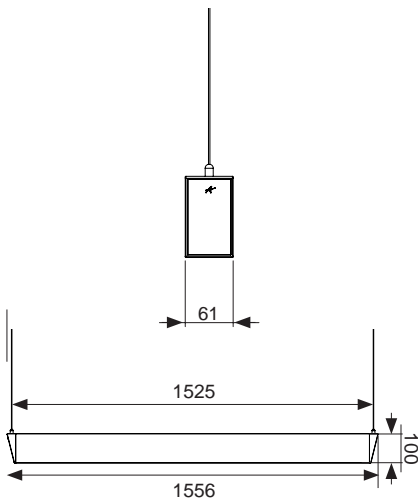
- Architectural suspended linear for office, retail and educational applications
- Die-Cast aluminum end caps
- Slim profile available in White (RAL9010) and Aluminium (RAL9006)
- Selectable CCT between 3000K and 4000K output
- Supplied bi-directional light output as standard (directional only option can be selected if required)
- Suitable for individual or continuous suspension
- Supplied c/w 1.5m suspension kit as standard
- Outperforms 28W and T5 fluorescent equivalent
- LED lifespan LM80 42,000 hours



AOTLED5/CCT



AOTLED5/W/CCT



LED Information

Total (Watts)	45W	86W
Lumens Delivered		
Cool White	4052lm	7487lm
Warm White	3861lm	7185lm
Lm/W		
Cool White	92lm	86lm
Warm White	86lm	84lm
CRI		Ra 80
CCT		4000K 3000K
Input		230V
Hertz		50/60Hz
Operating Temp		-25°C to 50°C

	Code	Lamp	Description
Bi-Directional	AOTLED5/CCT	LED	45W - Cool White/Warm White - Aluminium
	AOTLED2X5/CCT	LED	86W - Cool White/Warm White - Aluminium
	AOTLED5/W/CCT	LED	48W - Cool White/Warm White - Matt White
	AOTLED2X5/W/CCT	LED	84W - Cool White/Warm White - Matt White

Options	Code	Description
	/M3	Self-Test Emergency
	/DD	Digital Dimming (DD1/DD2/DD3/DD4)
	/MWS	Integral Microwave Sensor

Accessory	AOTLED/90B	90° Corner Connector
------------------	-------------------	----------------------

