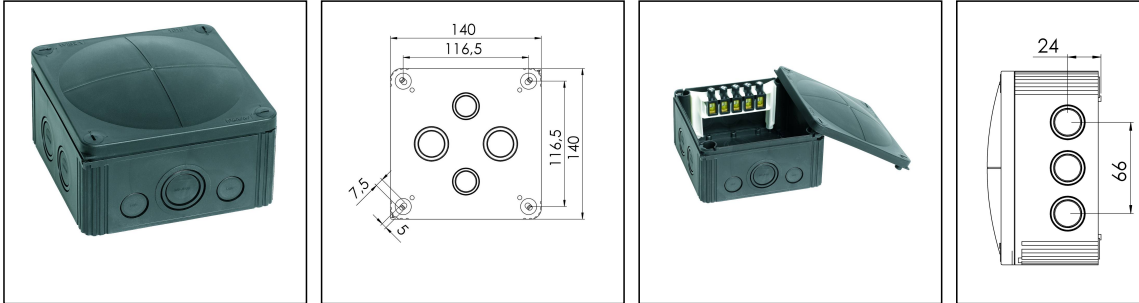



COMBI 1010/5 BK

Junction box, polypropylene



Products may differ in size, colour and appearance to those shown. If you require further information or customisation, please contact us directly.



| | |
|-------------------------------------|---|
| Material | Polypropylene |
| Material sealing gasket | TPE |
| Temp. range min | -30 °C |
| Temp. range max | 100 °C |
| Temperatures during install. | -5 °C - 60 °C |
| Protection class | IP66 / IP67 |
| Glow wire test | 750 °C |
| Voltage | 690 V |
| Rated current / A (Terminal) | 57 A |
| Rated cross section | 10 mm ² |
| Terminals/poles | 5-pole, 10,0 mm ² |
| Fixing | 4 internal openings |
| Ø cable diameter min | 6 mm |
| Ø cable diameter max | 21 mm |
| External dimensions LxWxH | 140 x 140 x 82mm |
| Using for cable gland |  |
| Product Color | RAL 9005 |
| WISKA-Order no. | 10062215 |
| Type | COMBI 1010/5 BK |
| Packing unit | 2 |
| EAN number | 4007685622158 |
| Tariff number | 85369010 |
| ETIM-Classification | EC002600 |

Remarks:

Your Contact:

WISKA UK Ltd.

Unit 7, Hurling Way · St. Columb Major Business Park · TR9 6SX, St. Columb Major, Cornwall · Great Britain

☎ +44-12-08816062 · 📠 +44-12-08816708

info@wiska.co.uk · www.wiska.co.uk

IP66: using the QUIXX self sealing membrane screw

IP67: using the knockout entry together with ESKV cable gland

Equipment:

- 10 knockouts side 5x M25/M32; 2x M20; 3x M20/M25
- 4 knockouts in the bottom 2x M25/M32; 2x M20/M25
- 4 captive cover screws
- including QUIXX EMS self-sealing membrane screw 2x M25; 1x M32
- including terminal block 5-poles, 10mm²

Mounting:

4 internal openings outside of the sealing area

Recommended accessories

| | |
|---------------------------------------|----------|
| MP-L Mounting plate large COMBI / WHK | 10105775 |
| External mounting - COMBI LG | 10108836 |

Spare parts

| | |
|----------------------------|----------|
| SP-HKT 1010 Terminal block | 22000408 |
|----------------------------|----------|

18.10.2023

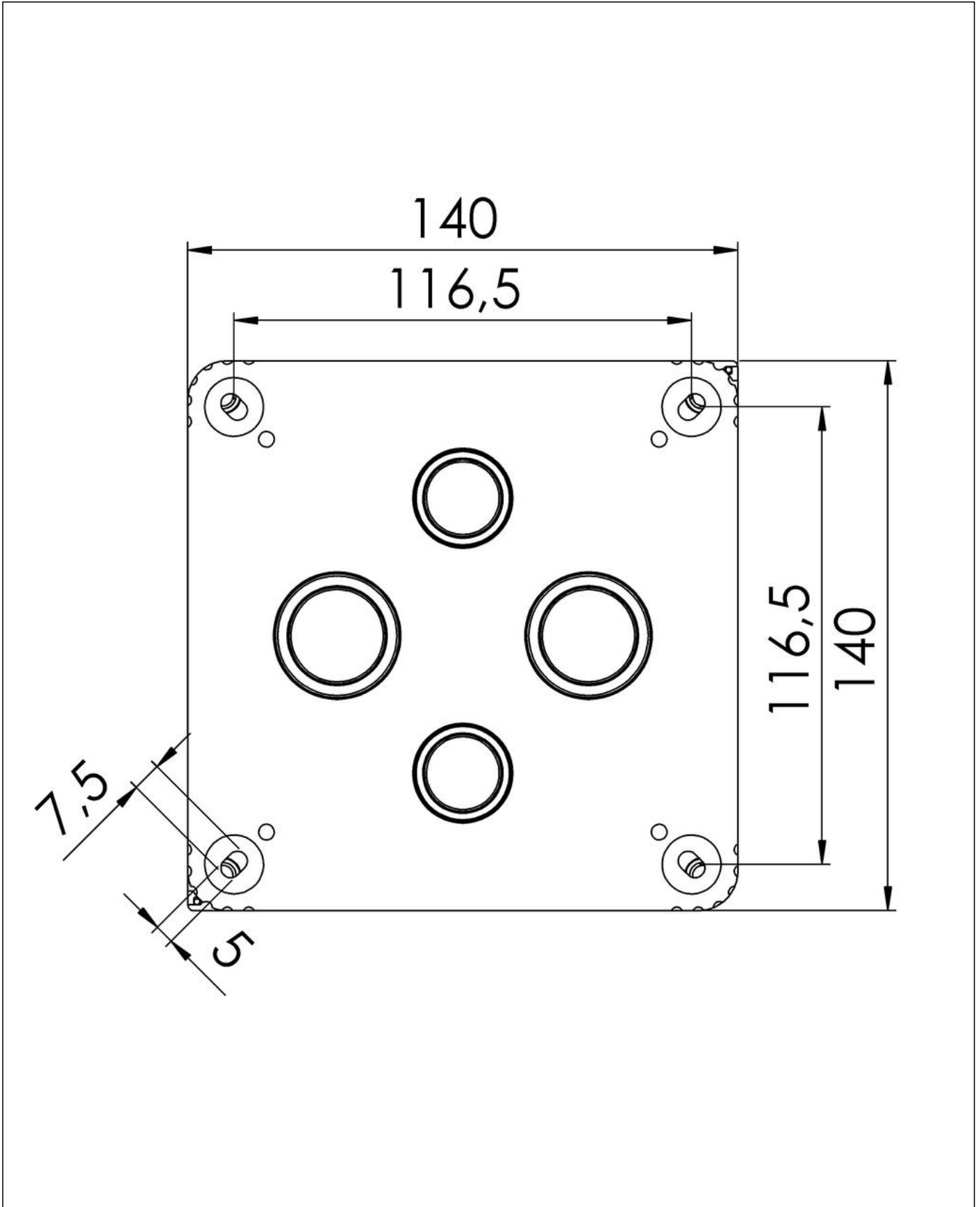
Your Contact:

WISKA UK Ltd.

Unit 7, Hurling Way · St. Columb Major Business Park · TR9 6SX, St. Columb Major, Cornwall · Great Britain

☎ +44-12-08816062 · 📠 +44-12-08816708

info@wiska.co.uk · www.wiska.co.uk



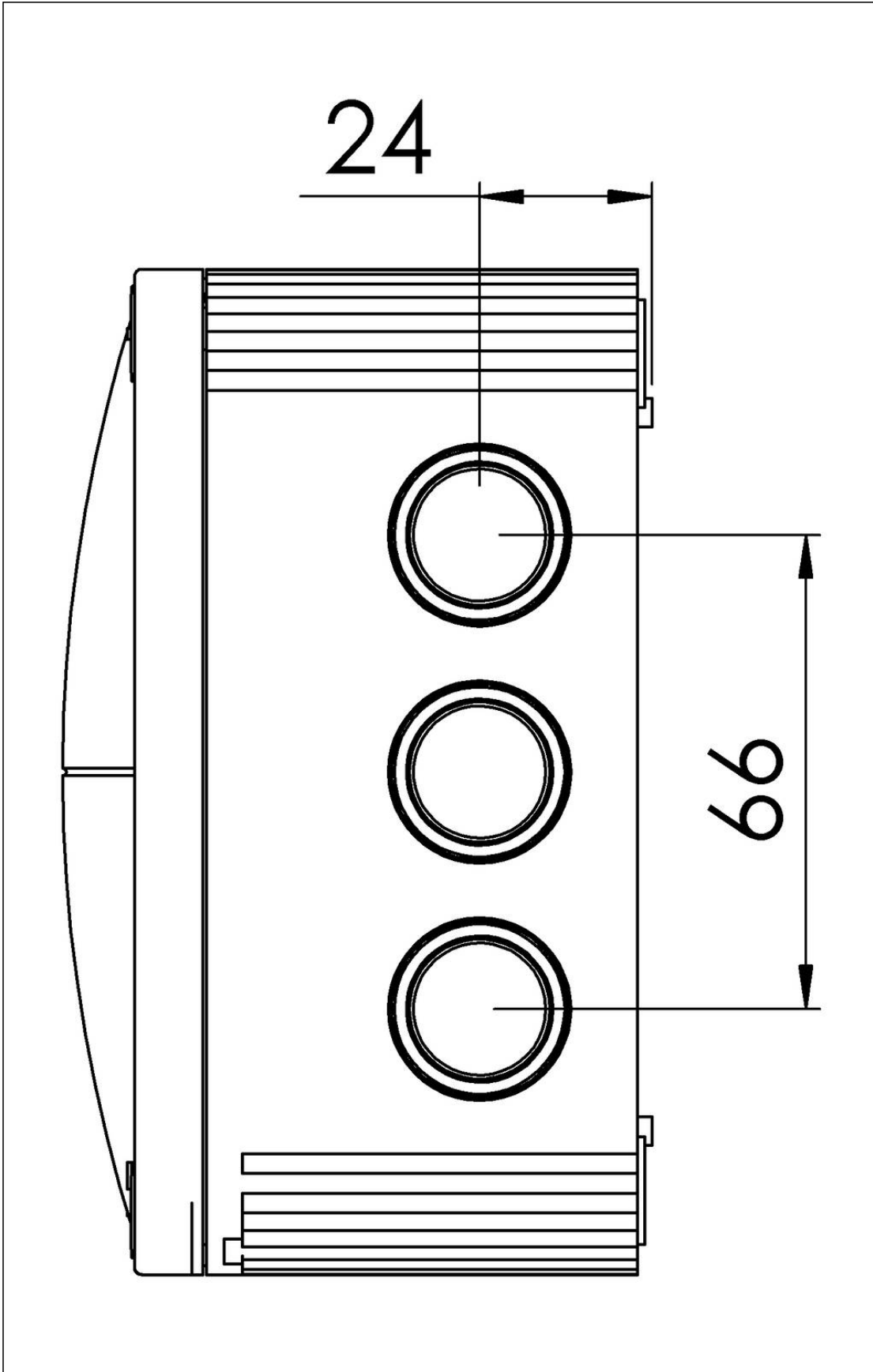
Your Contact:

WISKA UK Ltd.

Unit 7, Hurling Way · St. Columb Major Business Park · TR9 6SX, St. Columb Major, Cornwall · Great Britain

☎ +44-12-08816062 · 📠 +44-12-08816708

info@wiska.co.uk · www.wiska.co.uk



Your Contact:

WISKA UK Ltd.

Unit 7, Hurling Way · St. Columb Major Business Park · TR9 6SX, St. Columb Major, Cornwall · Great Britain

☎ +44-12-08816062 · 📠 +44-12-08816708

info@wiska.co.uk · www.wiska.co.uk