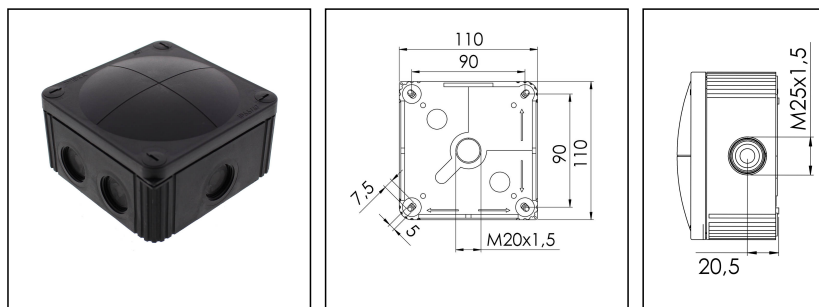



COMBI 607/5/2xKRM25/20 BK

Junction box, polypropylene



Products may differ in size, colour and appearance to those shown. If you require further information or customisation, please contact us directly.



| | |
|-------------------------------------|---|
| Material | Polypropylene |
| Material sealing gasket | TPE |
| Temp. range min | -30 °C |
| Temp. range max | 100 °C |
| Temperatures during install. | -5 °C - 60 °C |
| Protection class | IP66 / IP67 |
| Glow wire test | 750 °C |
| Voltage | 690 V |
| Rated current / A (Terminal) | 41 A |
| Rated cross section | 5 x 6mm ² |
| Terminals/poles | 6 mm ² |
| Fixing | 4 internal openings |
| Ø cable diameter min | 5,2 mm |
| Ø cable diameter max | 17 mm |
| External dimensions LxWxH | 110 x 110 x 66 mm |
| Using for cable gland |  |
| Product Color | RAL 9005 |
| WISKA-Order no. | 10061779 |
| Type | COMBI 607/5/2xKRM25/20 BK |
| Packing unit | 3 |
| ETIM-Classification | EC002600 |

Remarks:

IP66: using the membrane entry

Ø cable: 5,2 - 17 mm

Your Contact:

WISKA UK Ltd.

Unit 7, Hurling Way · St. Columb Major Business Park · TR9 6SX, St. Columb Major, Cornwall · Great Britain

☎ +44-12-08816062 · 📠 +44-12-08816708

info@wiska.co.uk · www.wiska.co.uk

IP67: using the threaded entry together with ESKV cable gland

Ø cable: 9,0 - 17 mm

Mounting:

- 4 internal openings outside of the sealing area

Equipment:

- 7 elastic, self-sealing puncture-membranes for cable entry on the side and 3 on the bottom

- 7 integrated M25 thread for mounting without lock nut

- 4 captive cover screws

- terminal block 5-pole, 6mm²

- 2 reduction adaptors KRM 25/20

Recommended accessories

| | |
|---------------------------------------|----------|
| MP-L Mounting plate large COMBI / WHK | 10105775 |
| External mounting - COMBI LG | 10108836 |

Spare parts

| | |
|---------------------------|----------|
| SP-HKT 607 Terminal block | 22000407 |
|---------------------------|----------|

06.02.2024

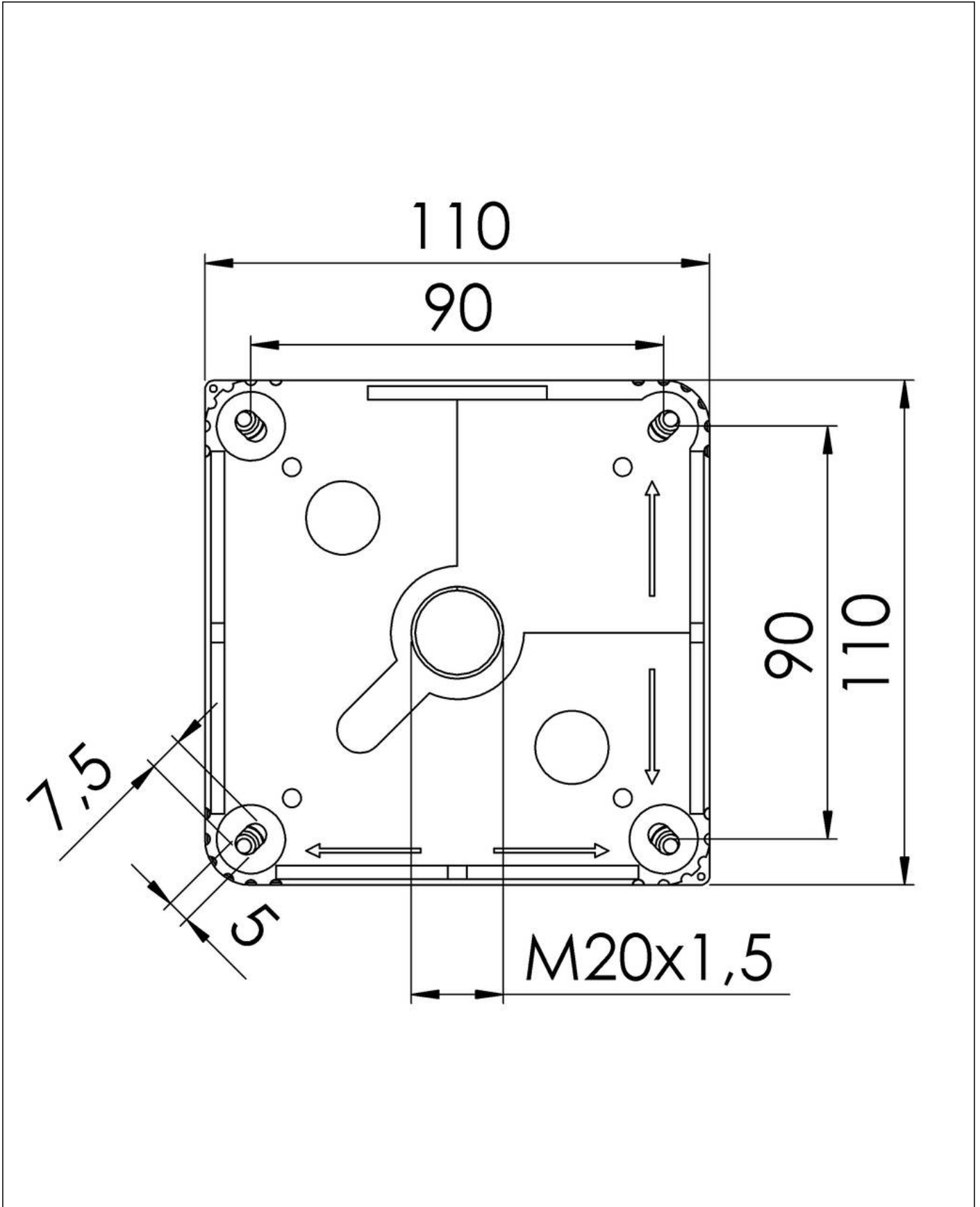
Your Contact:

WISKA UK Ltd.

Unit 7, Hurling Way · St. Columb Major Business Park · TR9 6SX, St. Columb Major, Cornwall · Great Britain

☎ +44-12-08816062 · 📠 +44-12-08816708

info@wiska.co.uk · www.wiska.co.uk



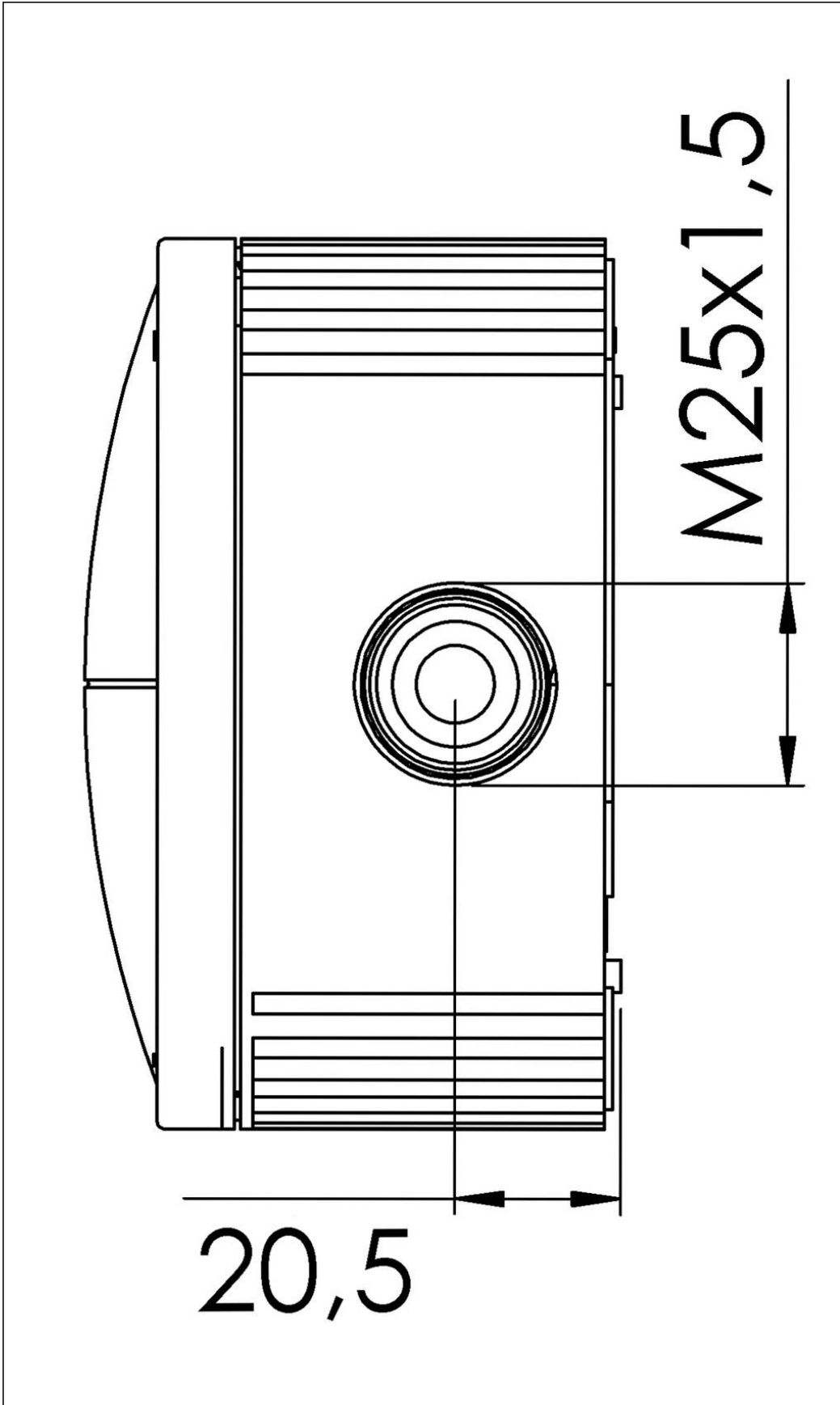
Your Contact:

WISKA UK Ltd.

Unit 7, Hurling Way · St. Columb Major Business Park · TR9 6SX, St. Columb Major, Cornwall · Great Britain

☎ +44-12-08816062 · 📠 +44-12-08816708

info@wiska.co.uk · www.wiska.co.uk



Your Contact:

WISKA UK Ltd.

Unit 7, Hurling Way · St. Columb Major Business Park · TR9 6SX, St. Columb Major, Cornwall · Great Britain

☎ +44-12-08816062 · 📠 +44-12-08816708

info@wiska.co.uk · www.wiska.co.uk