



# TURBO TIMER FAN

## TURBO-E-150-T

The Blauberg Turbo-E Timer fan is an inline mixed-flow extractor fan with a run-on timer. Designed to supply and extract ventilation systems installed in various premises. The tube fan can be mounted in kitchens, bathrooms and other humid spaces.



**Airflow:**  
Up to 520 m<sup>3</sup>/h



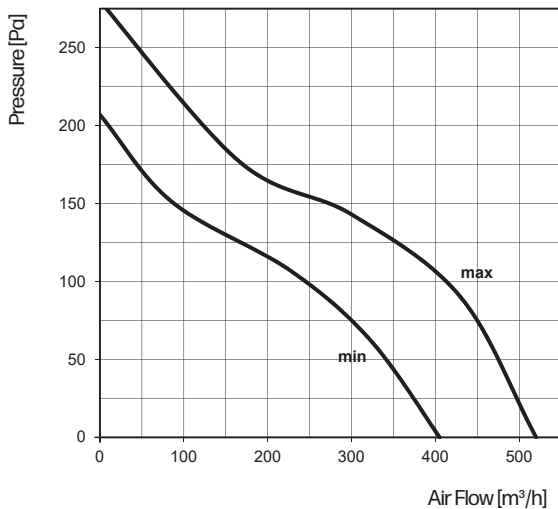
**Power:**  
From 30 watts



**Noise level:**  
From 33 decibels

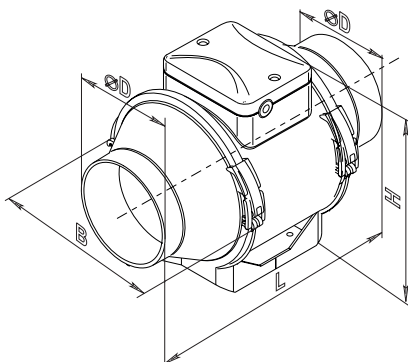
### Technical Data

TURBO-E-150-T		
Speed	Min	Max
Voltage [V/50 (60) Hz]	1 ~ 230	
Power [W]	30	60
Current [A]	0.17	0.27
Max. air flow [m <sup>3</sup> /h]	405	520
RPM [min <sup>-1</sup> ]	1680	2460
Noise level at 3m [dBa]	33	44
Max. Transported air temp [oC]	60	
SEC Class	B	
Protection Rating	IPX4	



### Performance

Sound-power level A- Weighted	Hz	Sound power level, A-filter applied								Sound Pressure level at 3 meters, A-filter applied [pA, 3m [dBa]	Sound Pressure level at 1 meter, A-filter applied [pA, 1m [dBa]	
		Octave frequency band, Hz										
		63	125	250	500	1000						
<b>Min Speed</b>												
LwA to inlet	dBa	66	35	46	63	60	57	53	43	28	45	55
LwA to outlet	dBa	65	34	45	62	59	56	53	43	28	44	54
LwA to environment	dBa	54	24	35	50	49	47	44	36	23	34	44
<b>Max Speed</b>												
LwA to inlet	dBa	75	42	52	71	69	67	64	56	43	54	64
LwA to outlet	dBa	74	41	50	70	69	66	63	56	42	53	63
LwA to environment	dBa	64	32	41	59	58	57	54	48	36	43	53



### Dimensions

Model	Dimensions [mm]				Weight [kg]
	ØD	B	H	L	
TURBO-E-150-T	146	223	250	295	2.65